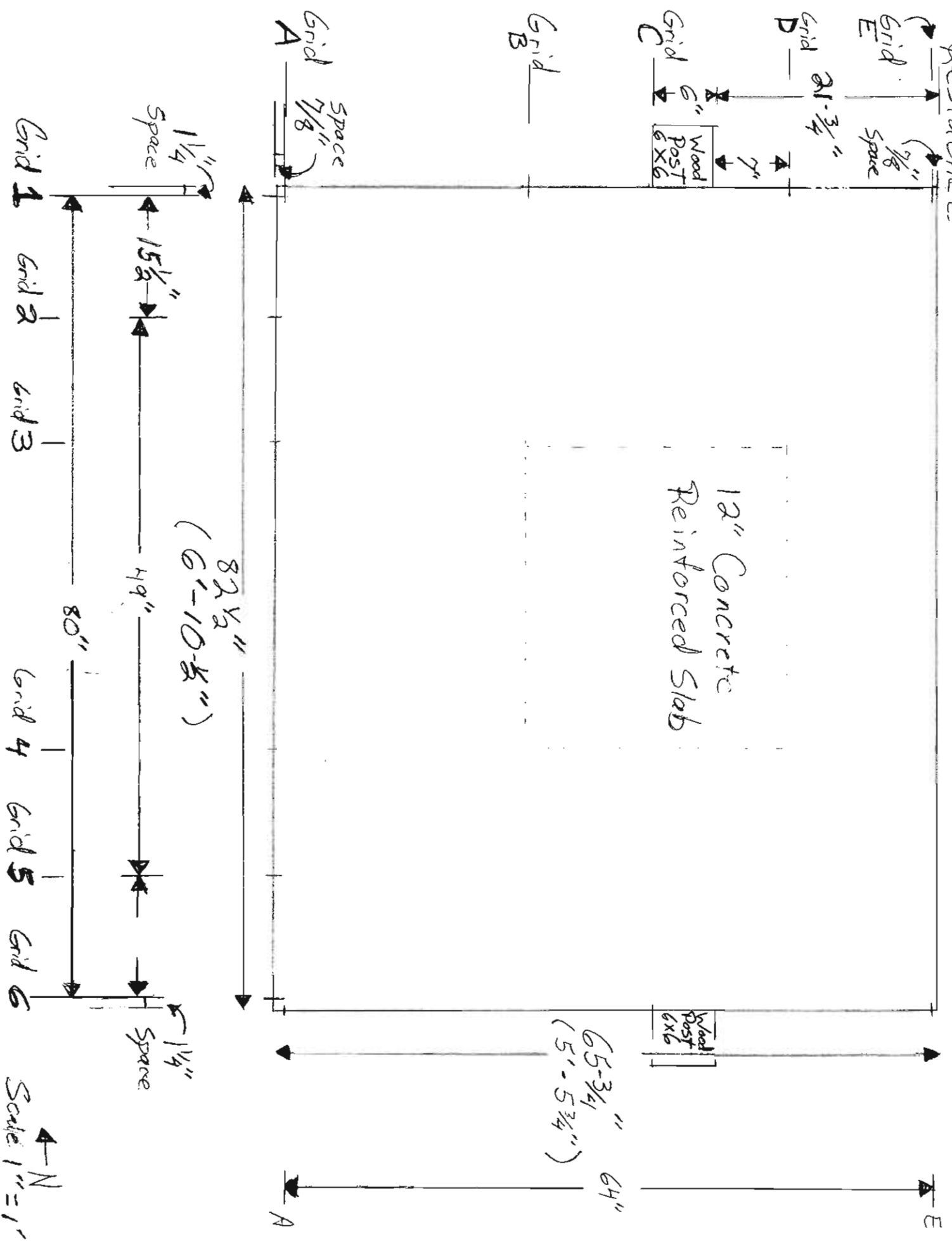


Kicci Residence

Plan View - Main Level Slab - As Built

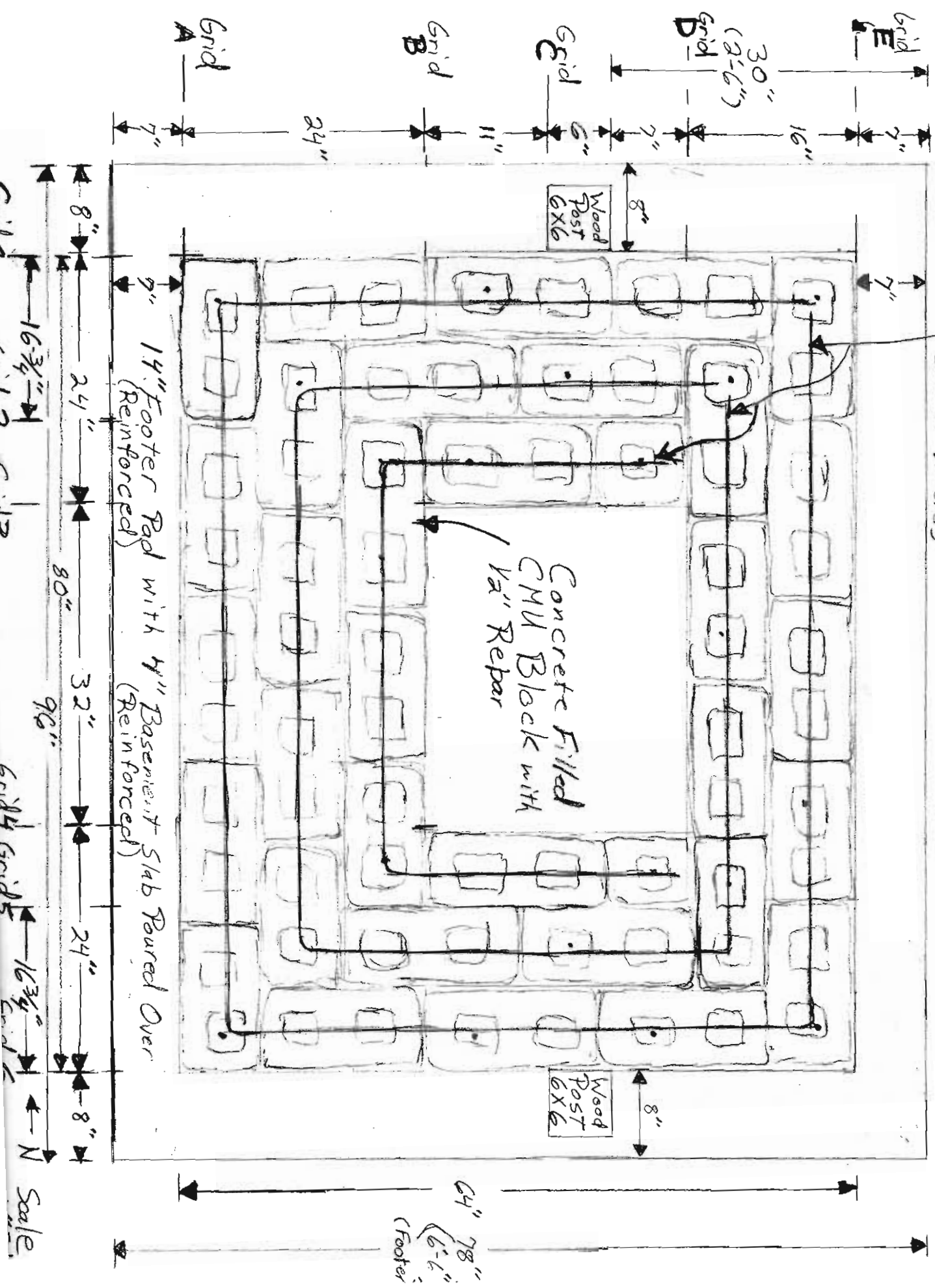
2007



Scale 1" = 1'

North Arrow

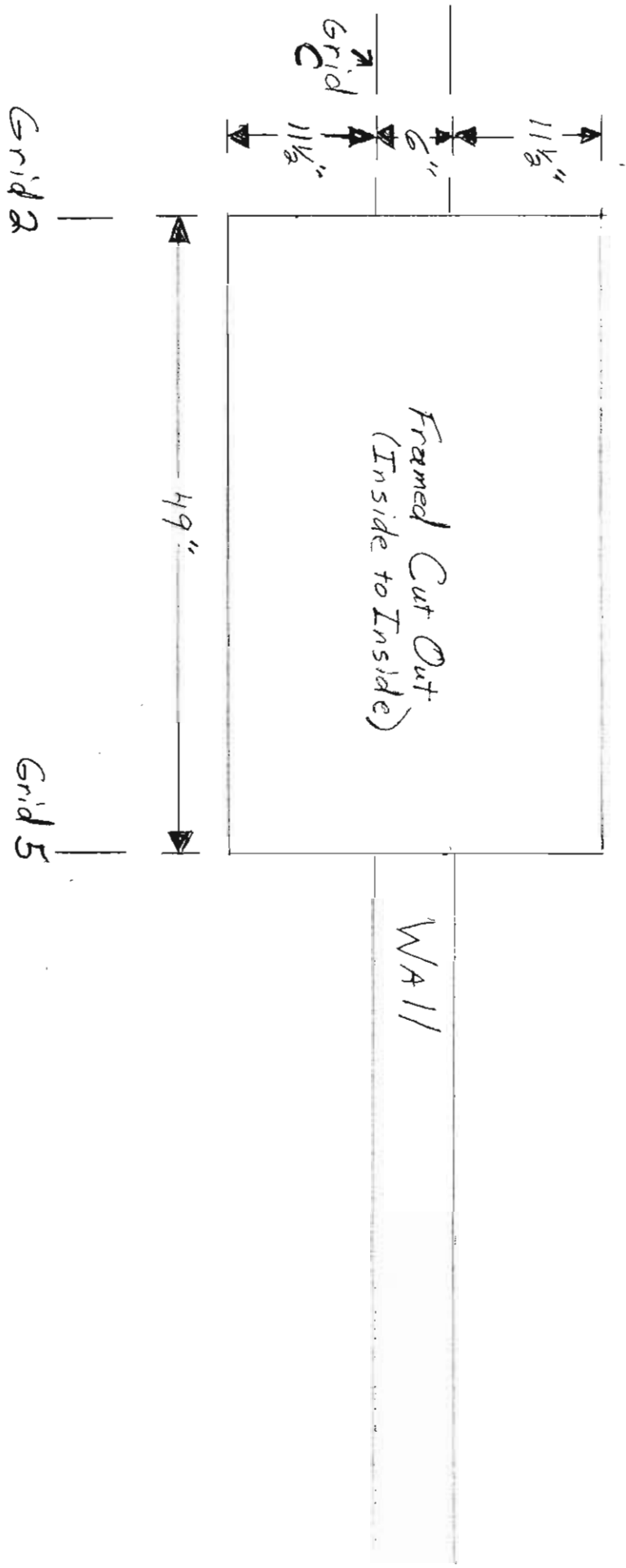
Kici, Residence
 Plan View - Basement Level Engineered Support
 As Built
 Feb 28, 2007



Ricci
Residence

Plan View - Upper Level Framing

2007



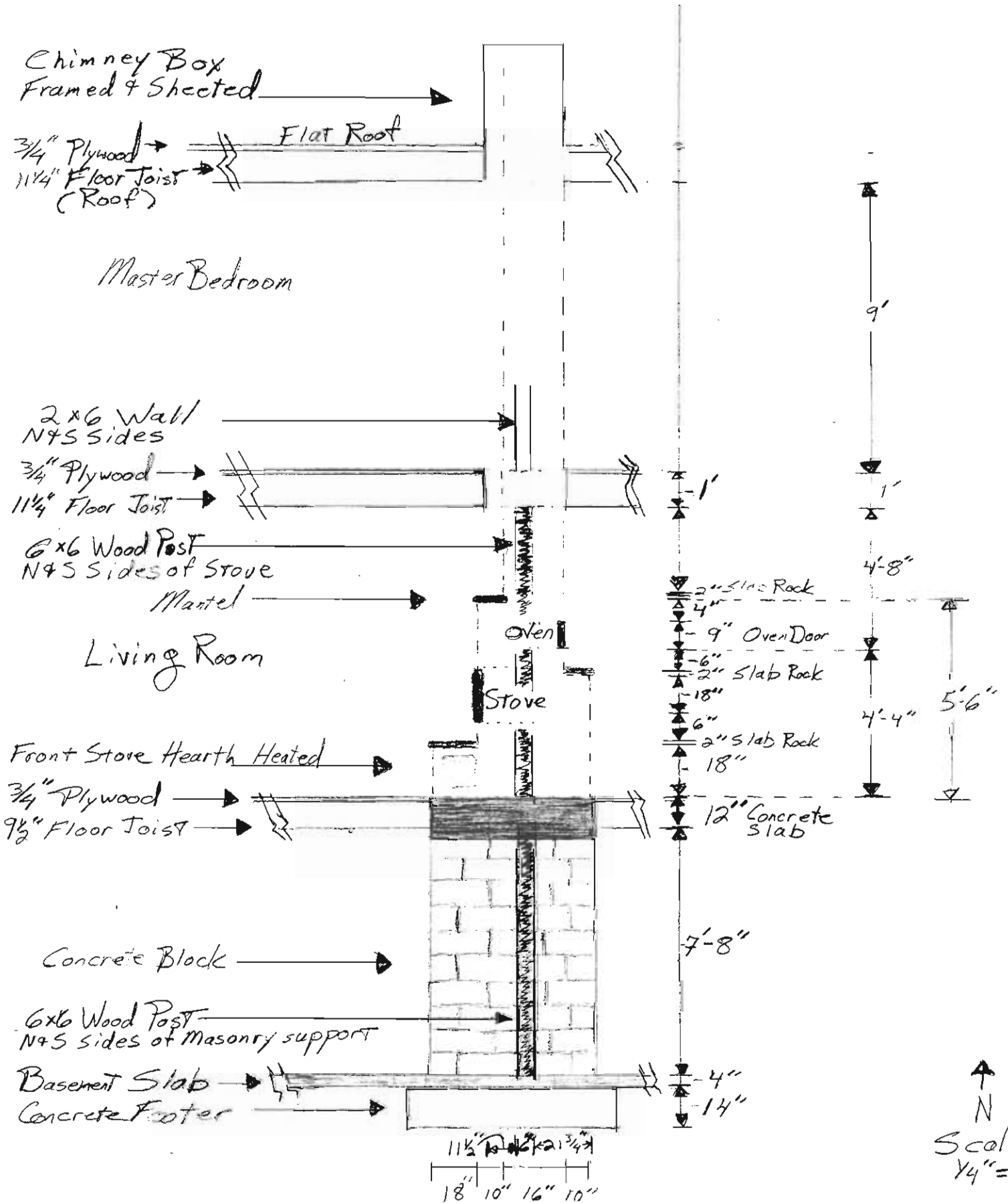
Plan View - Roof Framing

Roof is flat with cutout identical to upper level framed cutout shown above. Chimney box framed around roof cut out.

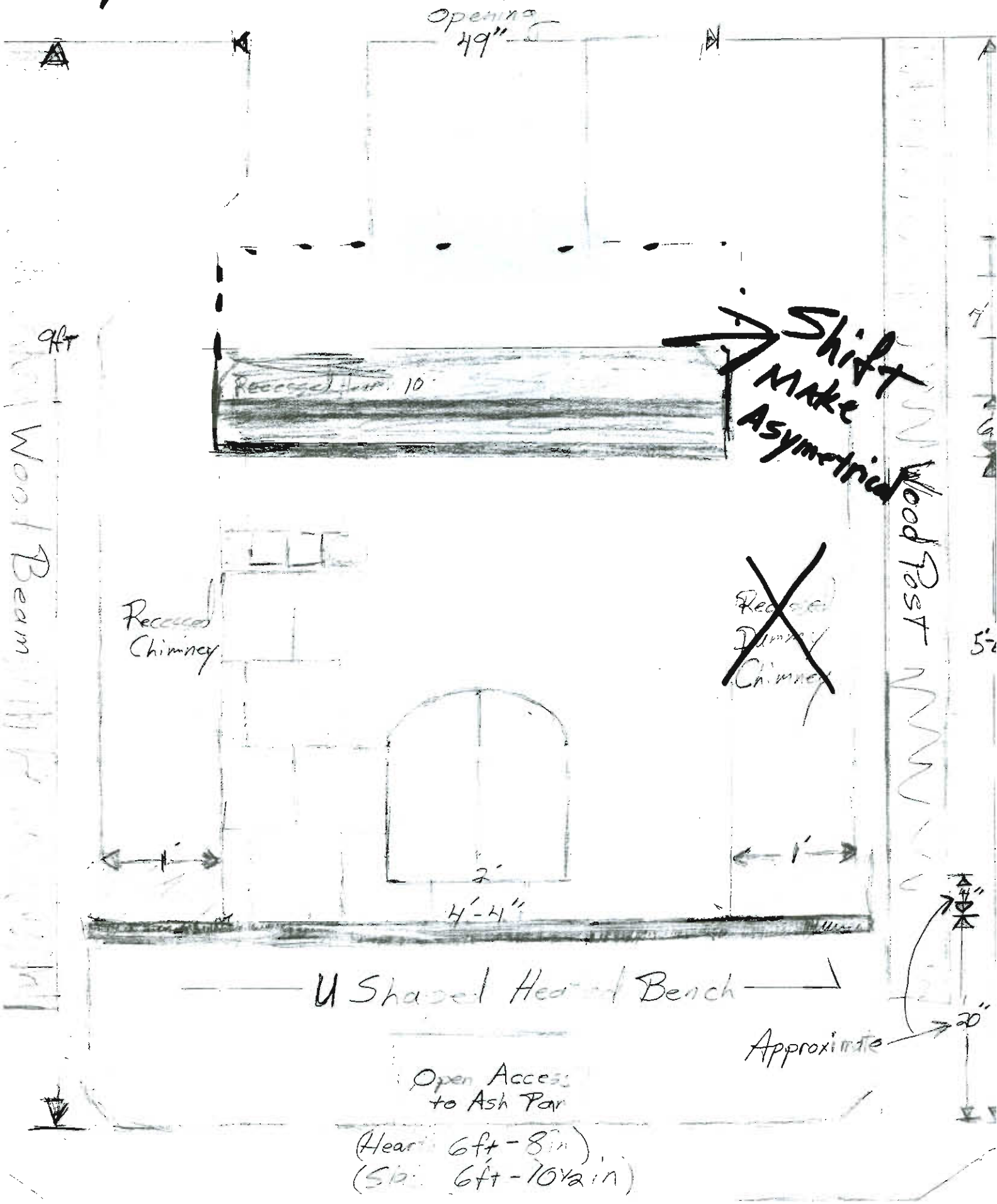
Scale 1/4" = 1'

Side Elevation

March 7, 2003



Concept



Concept

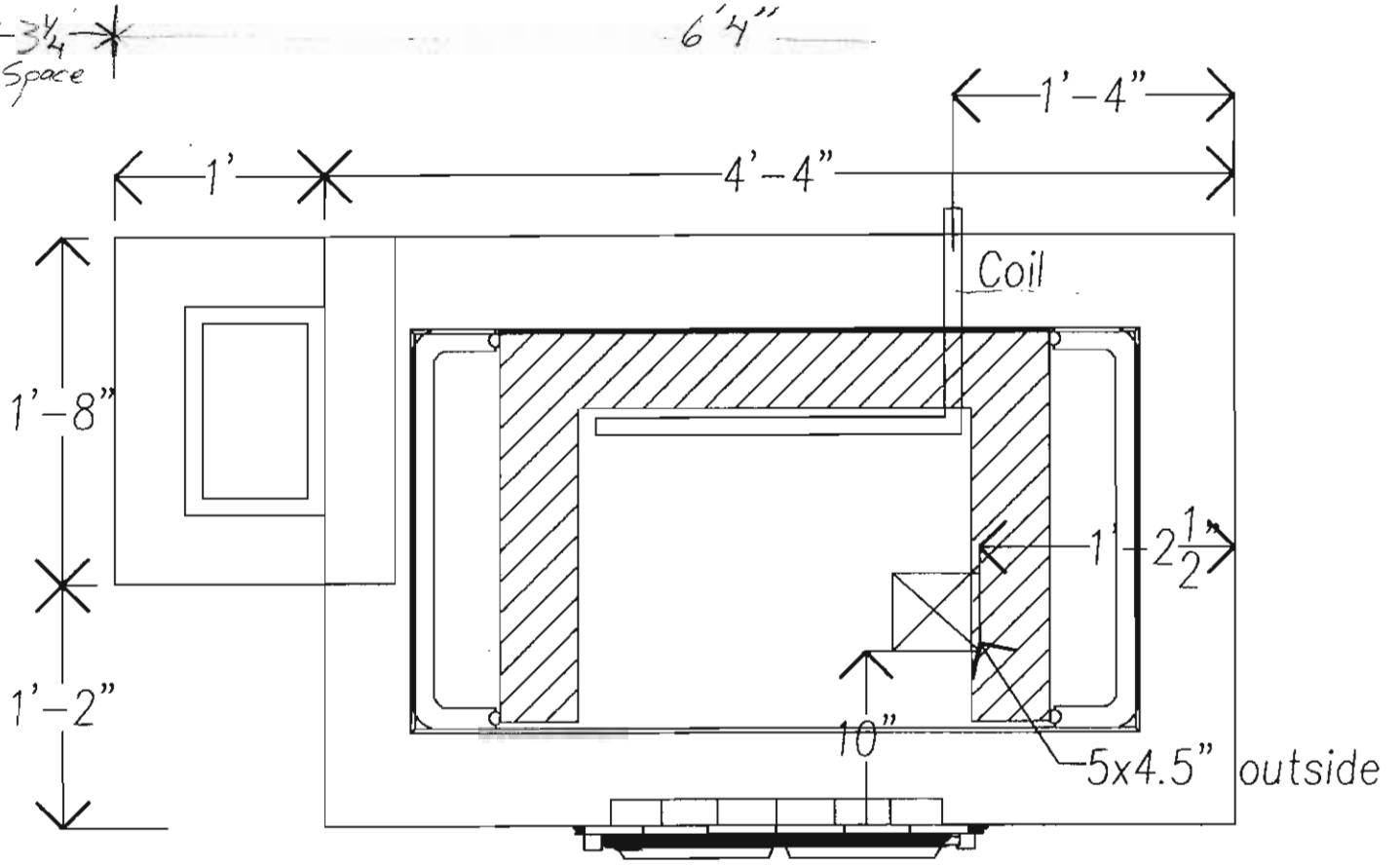


C-MAST: HK 22 w. heated bench. Plattsburgh, NY. Mason: Dan Pike.

Info from Website

Ricci

Wood Beam



Is this a Standard Layout?