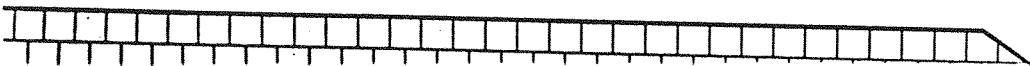
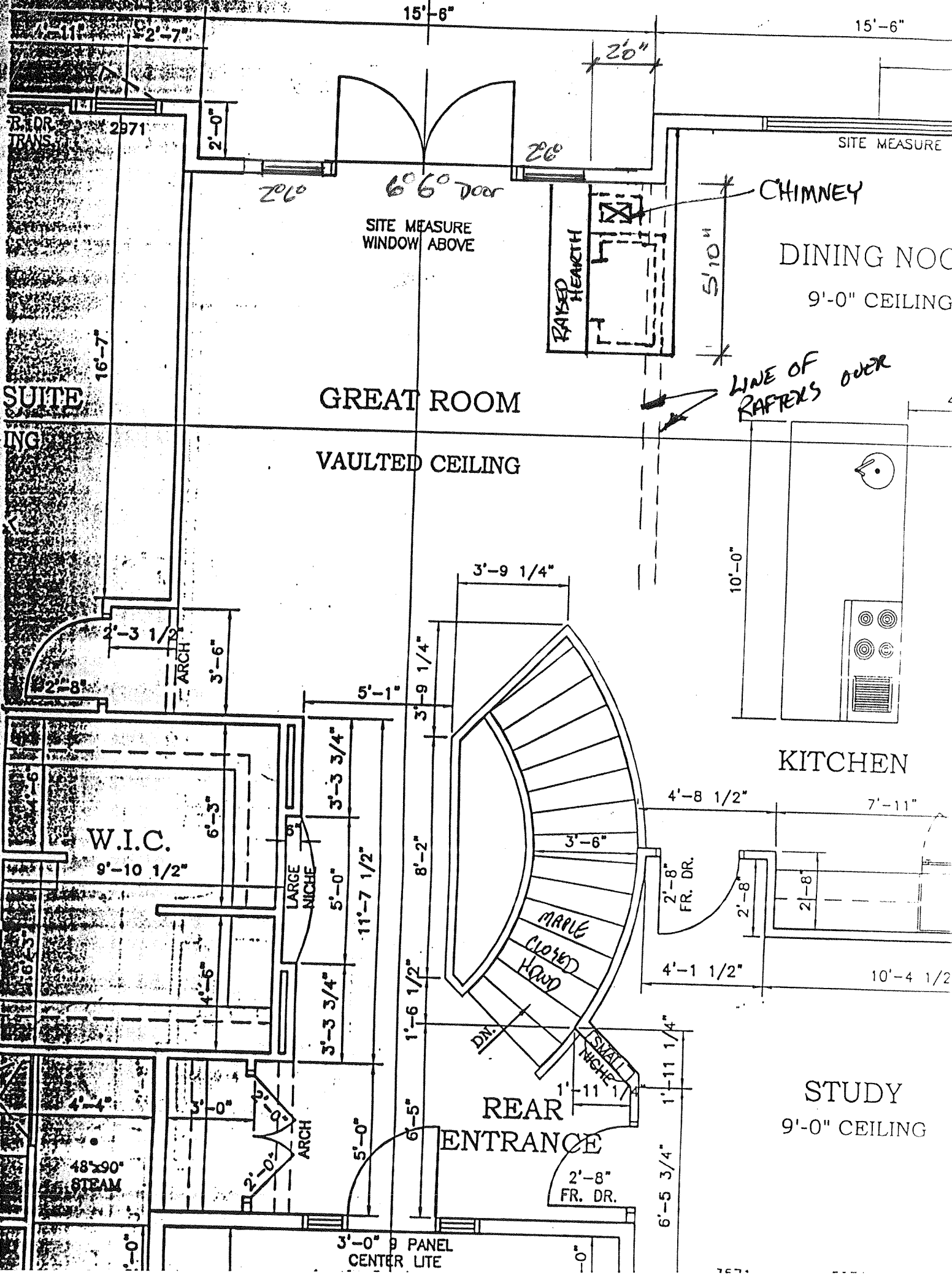




SKETCH # 2



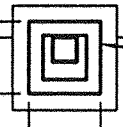


57'-0"

55'-6"

16'-6"

14'-0"



2x4 FRAME
c/w STONE VEENER
TYP. UNO.

1'-6"±
TO FIT CAP

1'-6"±
TO FIT CAP

PATIO

EXPOSED AGG.
4" CONC. SLAB
R/W 15M @ 20" o.c. E.W. MID.

*Rough in for
future chimney*

15'-6"

15'-6"

3'-4"

2'-4"

3'-10"

3'-11"

3'-11"

3'

3559

2'-0"

2060

6068

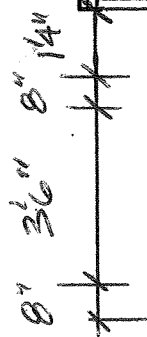
20

3559

5959

3559

2



*Rough in
for gas FP*

8'-0"

4'-0"

Fig Line

12mm Rebar 6" o.c. EW

9'-0" CEILING

17'-0"

2'-8"

3'-6"

ARCH

5'-10 1/2"

4'-4 1/2"

2'-6"

3/4"

5'-11"

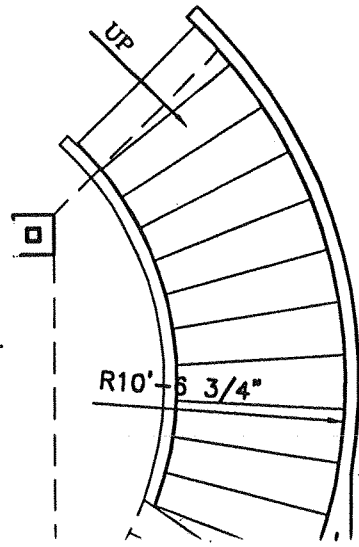
10'-7"

BATH

HYTEC 1/4" 1/2"

CENTER OF RADIUS

1'-1 1/2"



R10'-6 3/4"