

November 24, 2011

## Heat Kit Masonry Fireplace System

Generic Drawings Showing Materials and Construction

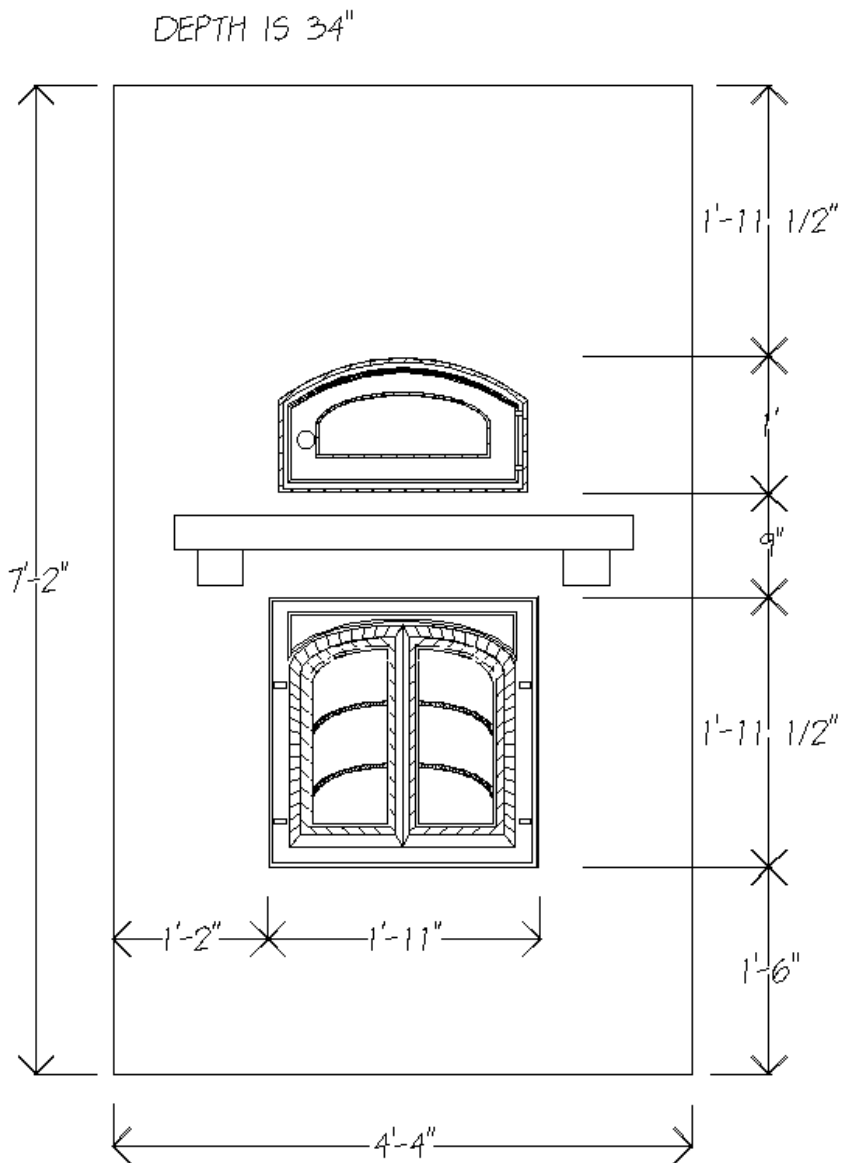
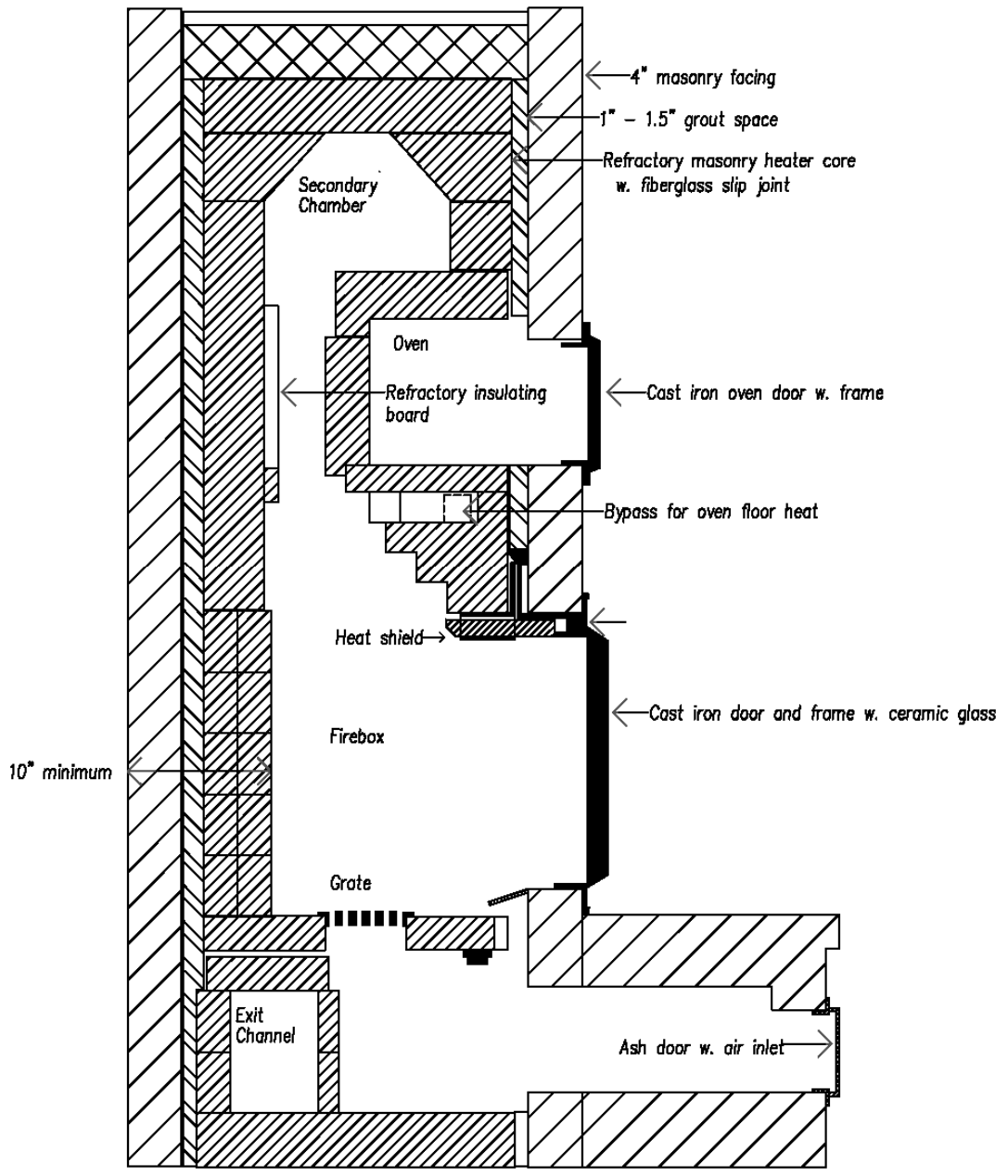
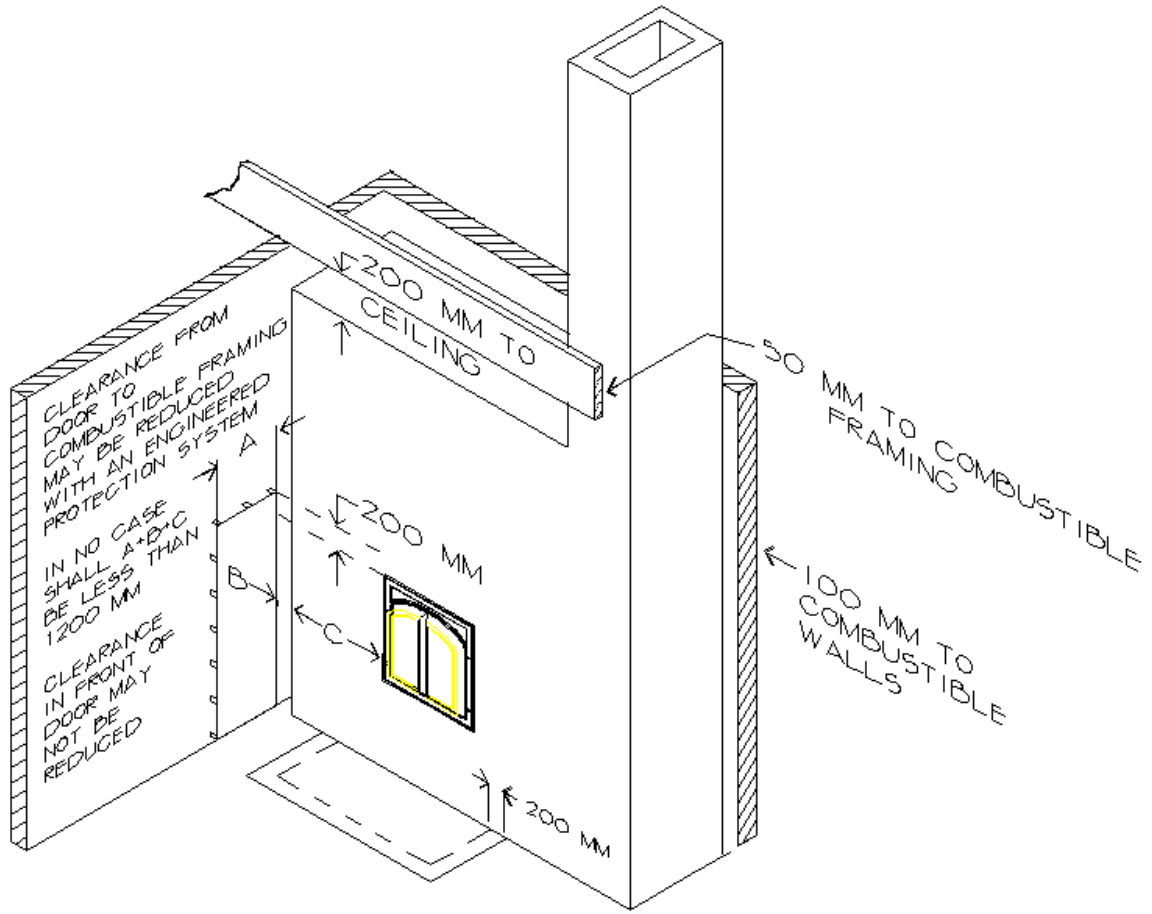


Figure 1 Dimensions of finished fireplace (chimney not shown)



**Figure 2. Side section showing materials and construction (heater with front bench)**



**Figure 3. Clearances to combustibles for masonry heaters meeting ASTM E1602-1**